



### **MODEL 600HS & 600HS Plus Series**

In 1985 Pure Air Systems was the first company to introduce a whole-house, true HEPA filtration system. Today Pure Air Systems offers a full line of air filtration systems for the residential, commercial, medical and light industrial markets, all made in the USA using only the highest quality components.

The 600HS can be ordered with the standard single speed 1/3 HP induction motor or in the PLUS version with the variable speed energy efficient 1/3 HP ECM motor. The ECM motors use less energy compared to a standard induction motor.

Pure Air Systems offers two different controller options for the PLUS line of systems. Couple the ECM motor with our HVAC controller and the system will run in conjunction with most heating/cooling systems. Should you need more flexibility in volume control or want the system to run independently; the VCU controller allows for operations from 0-100% of volume in 1% increments.

You have your choice of housing configurations to best conform to your application and/or space requirement. The "L" or vertical housing allows for left hand or right hand installation. The "S" or horizontal housing allows for ceiling mount or attic installation.



"S" Version



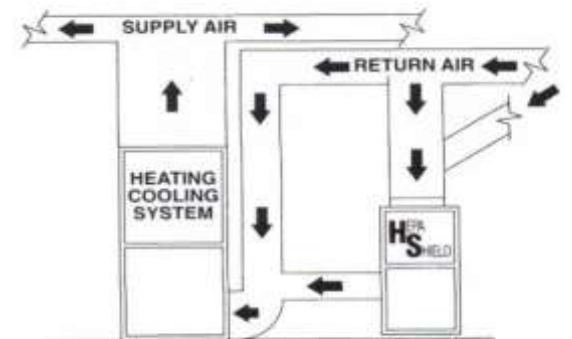
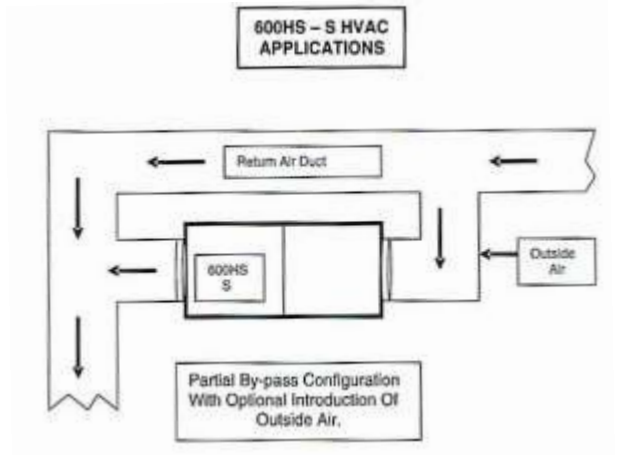
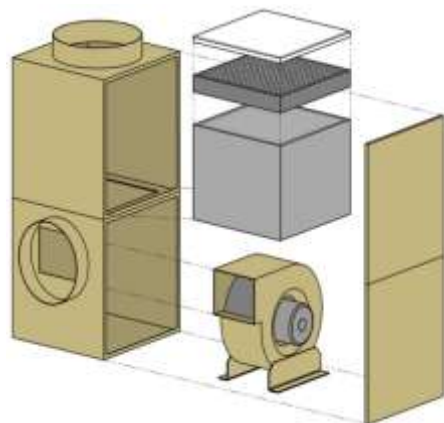
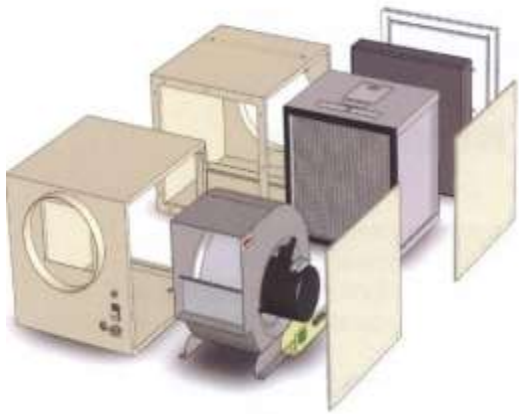
"L" Version

1. Polyester Prefilter MERV 8
2. 5 Lbs. Activated Carbon filter
3. Certified and scanned HEPA removes 99.97%, 0.3 microns and larger

### **DESIGN SPECIFICATIONS AND OPTIONS**

**For Both "L" and "S" Versions  
Two Sections: Blower/Motor & Filter Sections  
Allows For Four Position Door Access**

Dimensions: "L" 17" W x 34" H x 17" L  
 Dimensions: "S" 17" W x 17" H x 34" L  
 Duct Connections: 12" Dia. Inlet. 10" Dia. Outlet  
 Weight: 97 Lbs. Assembled  
 CFM Ratings: 600 CFM Max Air Flow With 1/3 hp Motors and 700 CFM Plus With 1/2 hp ECM Motor  
 Electrical Requirements: 120/240 Volt Single Phase 15 Amp Circuit  
 Motor Options: 1/3 HP Standard Induction Motor (PSC) 120v 60 Hz @ Max 6.0 Amp.  
 1/3 HP ECM Variable Speed 120/240v 50/60 Hz @ Max 3.6/2.4 Amp.  
 1/2 HP ECM Variable Speed 120/240v 50/60 Hz @ Max 6.2/3.9 Amp.  
 Filters: Polyester Ring Panel Pre-Filter (Dual Layer)  
 5 Lbs. Activated Carbon Filter  
 True Certified HEPA 99.97% @ 0.3 Microns Scanned  
 Controls: Lighted on/off Rocker Switch  
 8 Amp Breaker  
 Controller Options: HVAC or VCU Digital Speed Controller Externally Mounted



**OPTIONAL 600 OA UNIT**

The "L" or "S" OA System has 1 large Activated Carbon Cartridge in-lieu of the HEPA filter (up to 20 Lbs. of activated carbon)

Pure Air Systems, Indianapolis, IN 46254 - 800-869-8025  
 info@pureairsystems.com